

**Electric
Powerhead**

Model:

807756 115V (10' cord)

807758 230V (10' cord)

807896 115V (6' cord)

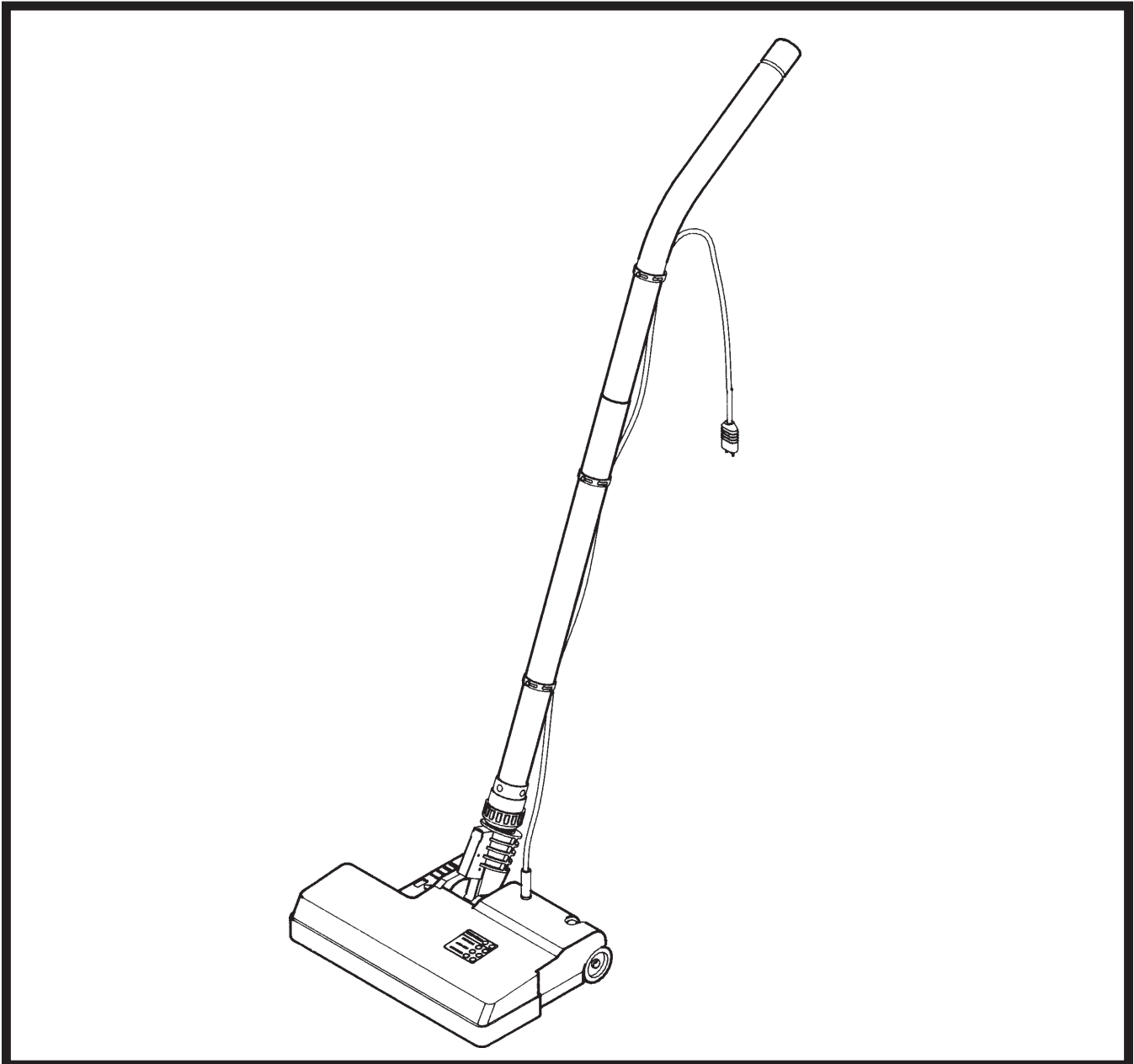
807897 230V (6' cord)

OPERATION

SERVICE

PARTS

CARE



Revised 6/02

Minuteman[®]

FOR COMMERCIAL USE ONLY

IMPORTANT SAFETY INSTRUCTIONS

When using an electrical appliance, basic precautions should always be followed, including the following:

READ ALL INSTRUCTIONS BEFORE USING

WARNING - To reduce the risk of fire, electric shock, or injury:

Do not leave appliance when plugged in. Unplug from outlet when not in use and before servicing.

WARNING

To reduce the risk of electric shock - Do not expose to rain. Store indoors.

- Do not allow to be used as a toy. Close attention is necessary when used by or near children.
- Use only as described in this manual. Use only manufacturer's recommended attachments.
- Do not use with damaged cord or plug. If appliance is not working as it should, has been dropped, damaged, left outdoors, or dropped into water, return it to a service center.
- Do not pull or carry by cord, use cord as a handle, close a door on cord, or pull cord around sharp edges or corners. Do not run appliance over cord. Keep cord away from heated surfaces.
- Do not unplug by pulling on cord. To unplug, grasp the plug, not the cord.
- Do not handle plug or appliance with wet hands.
- Do not put any object into openings. Do not use with any opening blocked; keep free of dust, lint, hair, and anything that may reduce airflow.
- Keep hair, loose clothing, fingers, and all parts of body away from openings and moving parts.
- Do not pick up anything that is burning or smoking, such as cigarettes, matches, or hot ashes.
- Do not use without dust bag and/or filters in place.
- Turn off all controls before unplugging.
- Use extra care when cleaning on stairs.
- Do not use to pick up flammable or combustible liquids such as gasoline or use in areas where they may be present.
- Connect to a properly grounded outlet only. See grounding instructions.

SAVE THESE INSTRUCTIONS

OPERATING INSTRUCTIONS

INSPECTION

Carefully unpack and inspect your machine for shipping damage. Each unit is tested and thoroughly inspected.

WARNING

To avoid electric shock, do not use motorized nozzle on wet surfaces.

Electric motors can cause explosions when operated near explosive materials or vapors. Do not operate this machine near flammable materials such as solvents, thinners, fuels, grain dust, etc.

ELECTRICAL - 115V

This machine is designed to operate on a standard 15 amp, 60 hz, AC circuit. Voltages below 105 volts AC or above 125 volts AC could cause serious damage to the motor.

ELECTRICAL - 230V

This machine is designed to operate on a standard 16 amp, 50 hz, AC circuit. Voltages below 200 volts AC or above 250 volts AC could cause serious damage to the motor.

GROUNDING INSTRUCTIONS

To protect the operator from electric shock this machine must be grounded while in use. This machine is equipped with an approved three-conductor power cord and grounding type plug to fit the proper grounding type receptacle.

ASSEMBLY

To attach operator handle, loosen collector at end of handle, slide over power head neck swivel and tighten. Straighten electric cord on power head and clip to handle with the two smaller clips provided. Insert electric cord into clip before putting on handle. Attach a clip at each end of handle on straight section. At lower end, leave enough slack to allow free movement of handle up and down.

Attach hose to vacuum intake and onto the operator handle. Push hose cuff into handle as far as it will go. Guide electric cord from operator handle along hose and attach with clips provided. Insert electric cord into clip then press clip onto hose close to operator handle. Twist electric cord one more turn on hose and insert third cord clip near end of hose going into vacuum tank intake. Plug male electric cord to female pigtail cord on vacuum head. This electric cord plug should not be used for any other purpose.

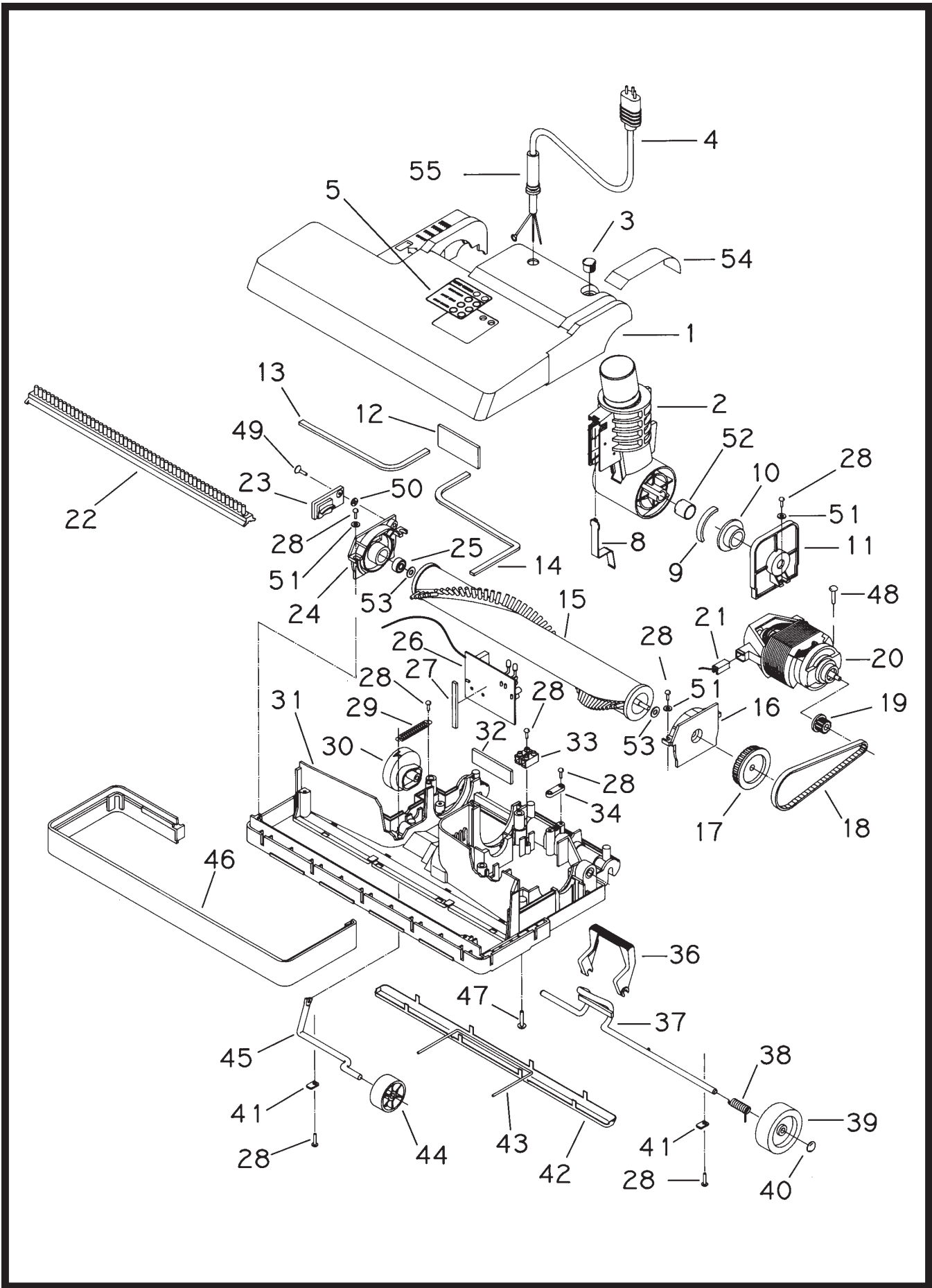
OPERATION

To operate the power head, turn switch on vacuum motor head on. This will turn the vacuum and brush in the power head at the same time.

Let the power head do the work. Simply glide the tool back and forth in free and easy strokes until every area has been covered. The brush will do the work for you and, at the same time, fluff up the nap of the carpet.

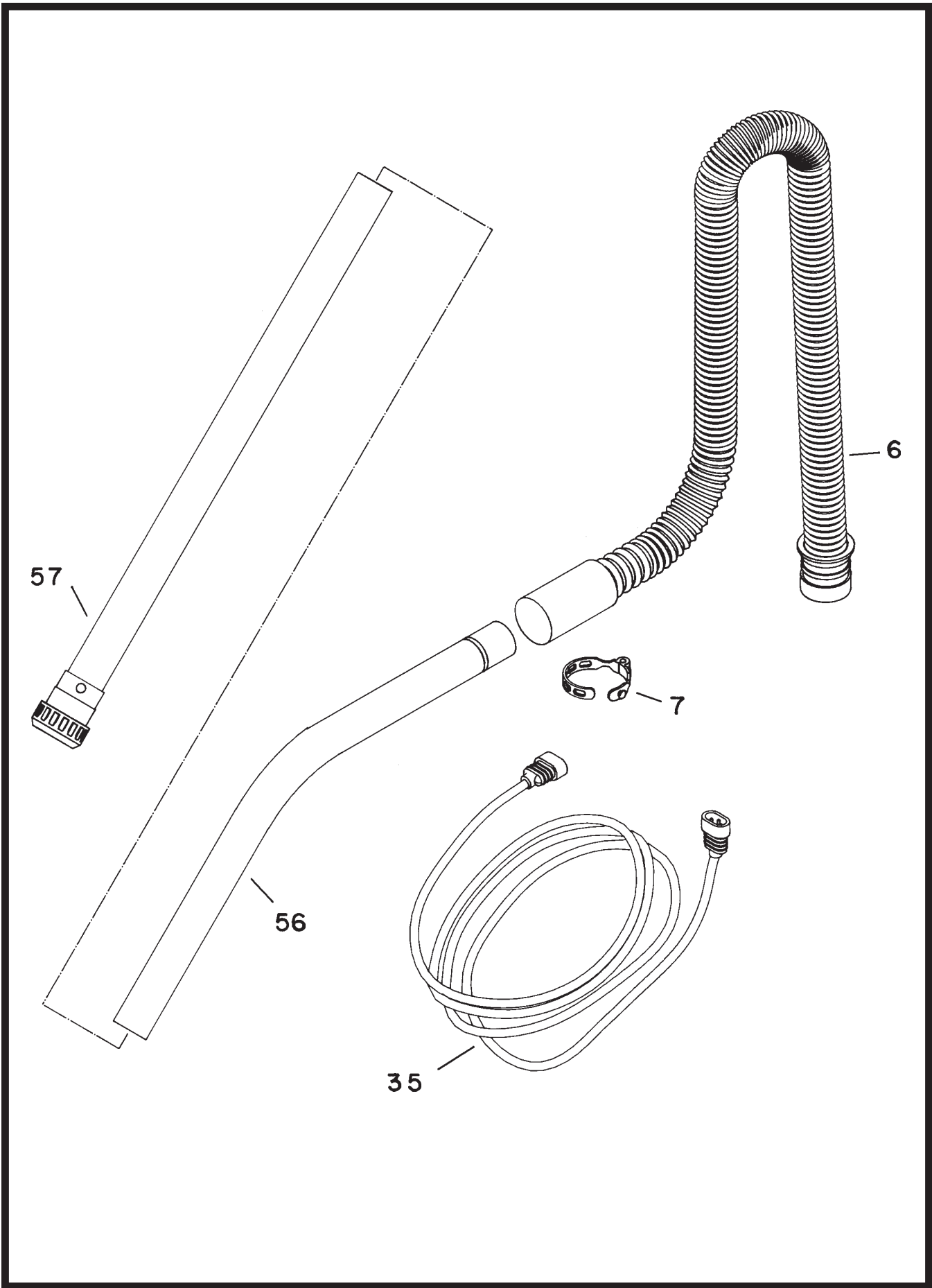
If an object jams the brush and prevents the brush from turning, switch the vacuum cleaner off, and for proper personal protection, unplug the power cord. Now remove the object and restart the unit.

Your Minuteman Electric Power Head will easily slip under low furniture to get at hard-to-reach places.



Powerhead Assembly

ITEM	PART NO.	QTY	DESCRIPTION
1	370006MCH	1	Brush Base Top Cover
2	830001	1	Base Coupling Powerhead
3	830803	1	Plug
4	831842	1	Cord Set Base
5	715146	1	Decal Brush Monitor
6	800303	1	Hose Assembly Comp. (Models 807756, 807758)
7	831879	6	Cord Retainer
8	370059	1	Switch Cover
9	370089	2	Felt Strip - Coupling Flange
10	370053	2	Coupling Flange Bushing
11	370008	2	Coupling Pivot Plate
12	370085	1	Felt Strip - Base Cover
13	370090	1	Gasket - Cover L
14	370091	1	Gasket - Cover R
15	370100	1	Brush Core Assembly Comp.
16	370022	1	Brush End Plate/Drive
17	370052	1	Brush Drive Pulley
18	370043	1	Belt Brush
19	370051	1	Motor Drive Pulley
20	740700	1	Upright Brush Motor 115V
20A	740900	1	Brush Motor 240V
21	370069	2	Carbon Brush
22	370083	2	Brush Strip
23	370044	1	Brush Strip Door
24	370023	1	Brush End Plate/Idle
25	370077	2	Bearing Brush
26	740703	1	Electronic Brush Control 115V
26A	740901	1	Electronic Brush Control 230V
27	370092	1	Circuit Board Cushion
28	711128	7	SCR-ST-B HI-LO 8 x .62 PL
29	370076	1	Spring Axle
31	370005	1	Brush Base/Upright
32	370086	1	Felt Strip - Base
33	740036	1	Terminal Block
34	370064	1	Strain Relief
35	831877	1	Cord 3-Wire 10
35A	831876	1	Cord 6' (Fullback)
36	370021	1	Foot Release
37	370045	1	Rear Axle
38	370073	1	Spring Axle
39	370009	2	Wheel 2 in.
40	370074	2	Hubcap
41	370075	7	Axle Retainer
42	370047	2	Metal Protector
43	370071	1	Wire Form
44	370031	1	Center Wheel
45	370050	1	Center Wheel Axle
46	370040	1	Bumper
47	710362	4	SCR-MC 10 - 32 x 1.25 ST PL
48	710130	2	SCR-MC 8 - 32 x .62 ST NI
49	710010	1	SCR-MC 6 - 32 x .37 OH
50	370084	1	Retainer
51	711502	4	WSR - Flat #8
52	370054	2	Coupling Bearing Bush
53	711504	2	WSR - Flat 1/4 ID SS
54	715137	1	Decal Cover
55	370026	1	Strain Relief
56	290001	1	Wand Section - Upper
57	828284	1	Lower Wand Assembly Comp.



FIELD INSTALLATION INSTRUCTIONS

To install pigtail cord onto your vacuum, read the following carefully.

1. **MAKE SURE THE MACHINE HAS BEEN UNPLUGGED FROM POWER SUPPLY.**
2. Remove the dome by removing the four screws and nuts that hold it to the lid. Be careful to note the location of small spacers; four short and four long. For vacuum machines other than Minute-man, consult your distributor for removal of its dome or equivalent.
3. Unwrap the black plastic electrical tape from around the switch and remove the wires that go to the motor only - not those of the power supply cord - taking care to note the location of the wires.
4. Locate a spot about one inch to the right of the cord and in line with the cord. Drill a 5/8 inch diameter hole.
5. Insert the supplied pigtail cord into the hole and attach one wire to a terminal on each side of the switch along with each of the motor wires you disconnected from the switch. Tighten the terminal screws down securely.
6. Take the green grounding wire that is left and attach it to the motor frame using the same screw that the other two green wires are attached with. Make sure all three wires are securely screwed into place.
7. Rewrap the switch with new electrical tape. Be sure to wrap all bare wires and terminal completely and tightly.

LIMITED WARRANTY

Minuteman International, Inc. warrants to the original purchaser/user that this product is free from defects in workmanship and materials under normal use and service for a period of one year from date of purchase. In addition, Minuteman International, Inc. will, at its option, honor labor warranty claims for the first 12 months from date of sale, provided such claims are submitted through and approved by factory authorized repair stations. Minuteman International, Inc. will, at its option, repair or replace without charge, except for transportation costs, parts that fail under normal use and service when operated and maintained in accordance with the applicable operation and instruction manuals.

This warranty does not apply to normal wear, or to items whose life is dependent on their use and care, such as belts, cords, switches, hoses, rubber parts, electrical motor components or adjustments. Parts not manufactured by Minuteman International, Inc. such as engines, batteries, battery chargers, hydraulic pumps, and tires are covered by and subject to the warranties and/or guarantees of their manufacturers. Please contact Minuteman International, Inc. for procedures in warranty claims against these manufacturers.

Special warning to purchaser — Use of replacement filters and/or prefilters not manufactured by Minuteman International, Inc. or its designated licensees, will void all warranties expressed or implied.

A potential health hazard exists without exact original equipment replacement.

All warranted items become the sole property of Minuteman International, Inc. or its original manufacturer, whichever the case may be.

Minuteman International, Inc. disclaims any implied warranty, including the warranty of merchantability and the warranty of fitness for a particular purpose. Minuteman International, Inc. assumes no responsibility for any special, incidental or consequential damages.

This limited warranty is applicable only in the U.S.A. and Canada, and is extended only to the original user/purchaser of this product. Customers outside the U.S.A. and Canada should contact their local distributor for export warranty policies. Minuteman International, Inc. is not responsible for costs or repairs performed by persons other than those specifically authorized by Minuteman International, Inc. This warranty does not apply to damage from transportation, alterations by unauthorized persons, misuse or abuse of the equipment, use of non-compatible chemicals, or damage to property, or loss of income due to malfunctions of the product.

If a difficulty develops with this machine, you should contact the dealer from whom it was purchased.

This warranty gives you specific legal rights, and you may have other rights which vary from state to state. Some states do not allow the exclusion or limitation of special, incidental or consequential damages, or limitations on how long an implied warranty lasts, so the above exclusions and limitations may not apply to you.

Minuteman[®]

World Headquarters
Minuteman International, Inc.
111 South Rohlwing Road
Addison, Illinois 60101

(630) 627-6900
FAX (630) 627-1130

Minuteman Canada, Inc.
2210 Drew Road
Mississauga, Ontario
L5S 1B1

(905) 673-3222
FAX (905) 673-5161

985600
Printed in U.S.A.